

160-10-7N Digital Athletic Low-profile Scale



Model 160-10-7N

Specifications

Capacity:

550 lb x 0.2 lb (250 kg x 0.1 kg)

Platform Dimensions:

(W x L x H) 14.4 in x 14.4 in x 1.65 in

Power:

9 VDC, provided by six AA alkaline batteries (included) or 120V/230V AC adaptor, NEMA 1-15 plug (included)

Battery Type:

Six AA alkaline (included)

Battery Use:

25 hours continuous use with batteries
Automatic power-off can be configured

Operating Temperature:

50° F to 104° F (14° C to 40° C)

Display:

5-digit LCD display, 0.75 in (1.9 mm) digit height

Approvals:

c-Met, E113986
NTEP CC 18-011
Measurement Canada AM-6097

Warranty:

Two-year limited warranty

Standard Features

- Large, stable scale base
- Push-button LCD display
- Unit of Measure: lb only, kg only, lb/kg
- Motiontrap™ movement compensation technology
- EHR capable
- 6 ft cable between digital display and base

APPROVALS



Measurement
Canada
Approved

Part Number/Price

Part #	Model #	Capacity	Price
193355	160-10-7N	550 lb x 0.2 lb (250 kg x 0.1 kg)	Consult

Shipping Weight

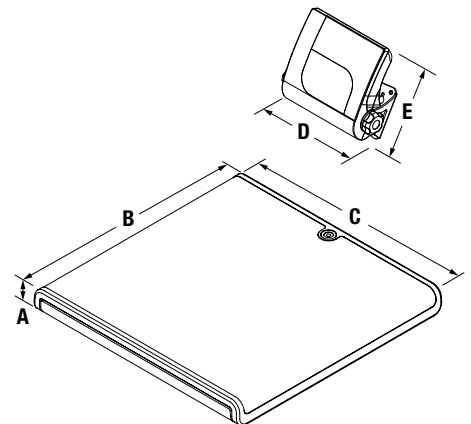
Part #	Model #	L (in)	W (in)	H (in)	Package Wgt. (lb)	Dim Wgt. (lb)	Shipping Wgt. (lb)
193355	160-10-7N	20	18	6	18	16	18

Options/Accessories

Part #	Description	Price
107445	Carrying case	Consult
81076	Epson TM-U220 tape printer	Consult
186830	Printer cable, 25-pin D-Sub male to RJ-45, 6 ft	Consult



† NEMA 1-15 Plug



Dimensions

	Inches	Centimeters
A	1.65	4.19
B	14.4	36.58
C	14.4	36.58
D	7.8	20
E	6.7	17

