

RoughDeck® SLV

Single Animal Livestock Scale



Shown with racks and optional sliding gate
PN 160100

Specifications

End Load Capacity:

125% full scale

Outside Dimension:

(L x W) 8 ft x 3 ft

(L x W) 8 ft x 4 ft

Cable Length:

20 ft (6 m)

Capacity:

8 ft x 3 ft: 4,000 lb increments

8 ft x 4 ft: 4,000 lb increments

Warranty:

Two-year limited warranty (scale only)

Approvals:

NTEP CC 92-001 Class III 4,000d

Capacity not to exceed 4,000 x 1 lb and platform size not to exceed 32 sq ft.

Standard Features

- Swing gate
- Mild steel construction
- Rugged diamond safety treadplate deck
- Rigid structural steel channel frame
- NEMA Type 4X stainless steel side-access junction box without quick connector
- Signal trim summing board
- Four adjustable stainless steel SUREFOOT™ support feet
- 20 ft (6 m) SURVIVOR® EL147HE hostile environment load cell cable
- Four alloy steel load cells

APPROVALS



Part Number/Price

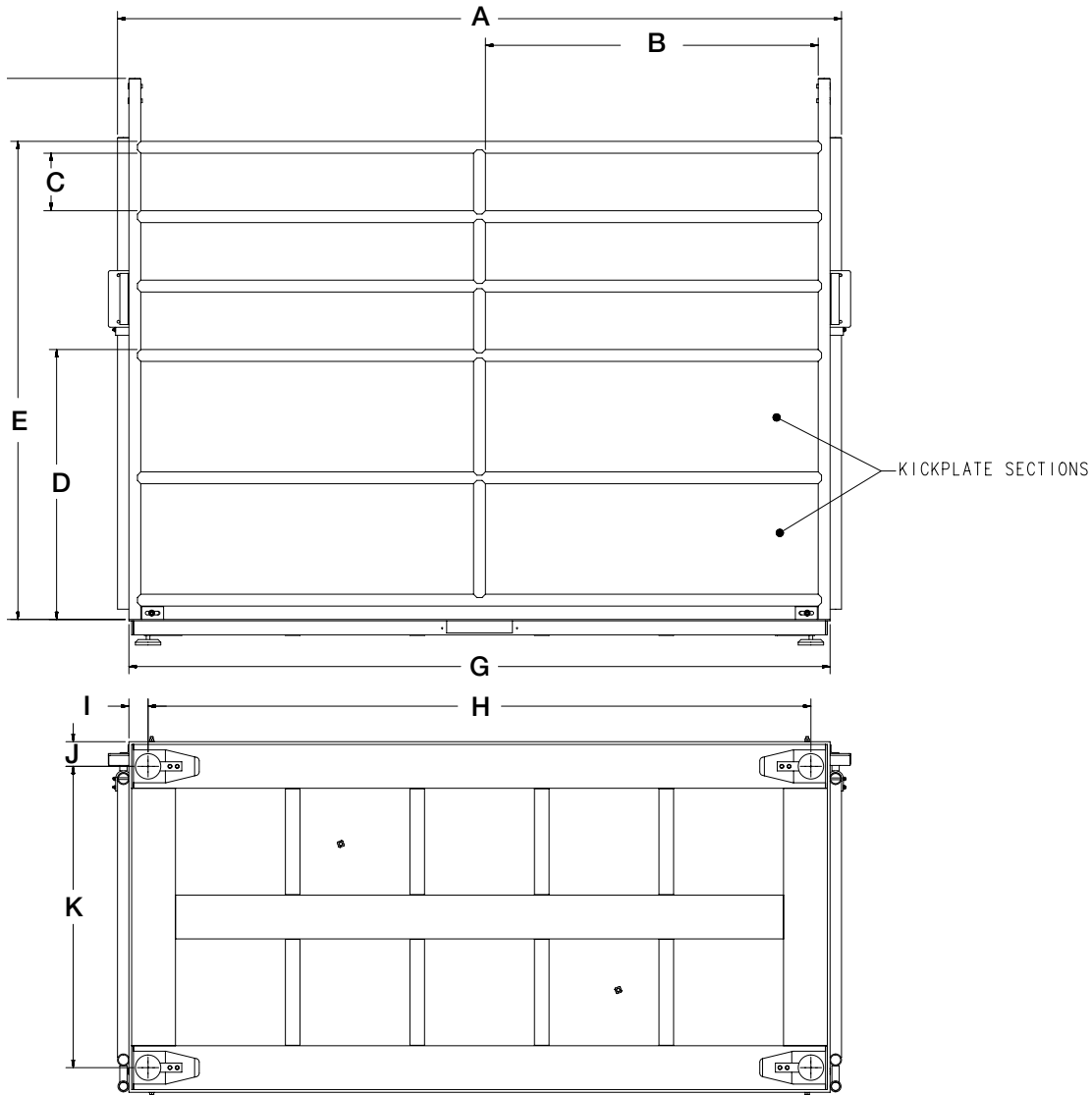
Part #	Outside Dimensions	Capacity	Est. Weight	Price
103617	8 ft x 3 ft	4,000 lb, 20 ft without Quick Connect, modified to fit gate and rack	565 lb	Consult
78452	8 ft x 3 ft	4,000 lb, 20 ft without Quick Connect	565 lb	Consult
103619	8 ft x 4 ft	4,000 lb, 20 ft without Quick Connect, modified to fit gate and rack	750 lb	Consult
78453	8 ft x 4 ft	4,000 lb, 20 ft without Quick Connect	750 lb	Consult
RoughDeck SLV 4,000 lb Bundle Package (Ships Assembled)				
124192	8 ft x 3 ft	Includes: scale, gate and rack, kick plates, 482 digital indicator, factory calibration	1,200 lb	Consult
160100	8 ft x 3 ft	Includes: scale, 2 sliding gates and racks, kick plates, 482 digital indicator, factory calibration	1,310 lb	Consult
124193	8 ft x 4 ft	Includes: scale, gate and rack, kick plates, 482 digital indicator, factory calibration	1,500 lb	Consult

Options/Accessories

Part #	Description	Price
Consult	Smooth deck instead of diamond safety tread plate	N/C
N/A	Stainless steel load cells (RL35023S) and stainless steel junction box	Consult
N/A	Stainless steel welded-seal IP67 load cells (RL35082) and stainless steel junction box	Consult
N/A	Angle iron bolted to scale for wood deck provisions (wood to be supplied by customer)	Consult
N/A	Rubber mat	Consult
N/A	Slide gate	Consult
N/A	Chutes for use with 8 ft x 4 ft scale only	Consult
18777	Floor anchor plates, mild steel (set of 2)	Consult
18778	Floor anchor plates, stainless steel (set of 2)	Consult

RoughDeck® SLV

Single Animal Livestock Scale



Dimensions			
3 ft x 8 ft			
A	99.12 in	I	2.625
B	45.56	J	3.375
C	7.88	K	29.25
D	36.95	L	36
E	65.45	M	32.75
F	74.00	N	3.50
G	95.00	O	77.58
H	90.75		
4 ft x 8 ft			
A	99.12 in	I	2.625
B	45.56	J	3.375
C	7.88	K	41.250
D	36.95	L	48
E	65.45	M	44.75
F	74.00	N	3.50
G	95.00	O	77.58
H	90.75		

