

## *A Superior Load Cell with a Superior Guarantee*

*Designed for long term reliability, even in harsh environments*

- Immune to Lightning and Power Surges
- Immune to Water Washdown and Flooding
- Immune to rodent and cable damage
- Immune to effects from RFI / EMI
- Withstands shock loads and vibrations
- Operates safely in hazardous / explosive areas

The PermaCell™ Series 136 is a precision, long-life Hydrostatic compression load cell. It has a self-restoring column load head, engineered for extreme heavy-duty usage.

It is designed for high performance in applications where electronic load cells would fail. PermaCells™ can operate reliably in high temperatures, lightning areas, and flood zones.

Constructed of grade 304 stainless steel, with hardened steel column and load blocks, it has superior resistance to corrosive conditions, and is ideal for explosive areas, including Class I, II, III, Groups A-D, Divisions I and II. Seismic Zone requirements can also be met (consult our engineering department).

### **Applications**

- Heavy duty Floor Scales
- Tank and Hopper Scales
- Truck Scales and Railroad Track Scales
- Custom Designed Load Weigh Systems
- Steel Mills, Air Cargo, Aerospace
- Munitions, Chemicals, Food Processing
- Shock, High Temperature, Flooding, Explosive areas



### **Customer Benefits**

- Virtual elimination of downtime
- Long life guarantee
- Sustained accuracy and calibration
- Drastically reduced maintenance
- Lightning and flooding insurance not required
- Eliminates load cell replacement costs



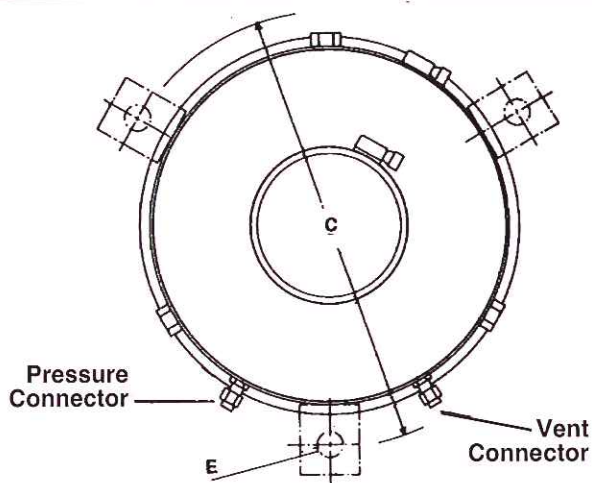
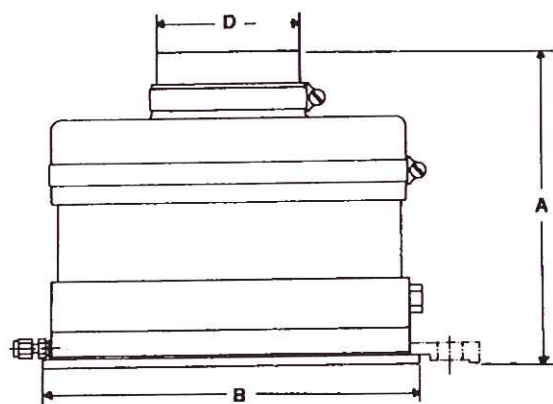
### **A Superior Guarantee**

The PermaCell™ Series 136 carries a LIFE /10 Guarantee – a guarantee for life against lightning and water damage and a 10-year warranty against failure from defects in material and workmanship.

# SPECIFICATIONS AND DIMENSIONS

SPECIFICATIONS			DIMENSIONS (INCHES)					OVERLOAD RATING % of capacity
MODEL	CAPACITY (EACH) LBS.	AREA (Sq. In.)	A	B	C	D	Bolt E	
136-5*	5,000	14.47	3.75	6.25	7.00	0.50	0.38	400
136-10*	10,000	14.47	3.75	6.25	7.00	0.50	0.38	200
136-20	20,000	25.00	6.00	7.75	8.50	0.75	0.38	300
136-30	30,000	25.00	6.00	7.75	8.50	0.75	0.38	200
136-50	50,000	41.28	8.75	9.43	10.75	3.75	0.50	300
136-75	75,000	41.28	8.75	9.43	10.75	3.75	0.50	200
136-100	100,000	69.20	13.00	12.50	14.50	4.00	0.75	200
136-125	125,000	69.20	13.00	12.50	14.50	4.00	0.75	200
136-150	150,000	100.00	15.00	14.88	16.75	5.00	0.75	250
136-200	200,000	100.00	15.00	14.88	16.75	5.00	0.75	200

\* Not NTEP at this capacity

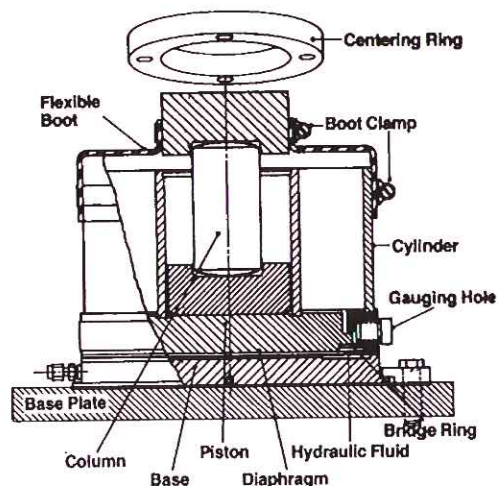


## PERFORMANCE SPECIFICATIONS

- Non Linearity 0.015% FS
- Hysteresis 0.015% FS
- Resolution 0.0003% of capacity
- Temperature Range (operating) - 25°F to 500°F
- Temperature Effect 14°F to 104°F
  - Zero Shift 0.0007% FS per °F
  - Span Shift 0.0007% FS Load per ° F
- Side Load Effect per 10% of capacity 0.1% FS
- Deflection at full capacity .002 inches
- NTEP Certified for Class IIII 10,000 divisions

## CONSTRUCTION MATERIAL OPTIONS

- Grade 316 Stainless Steel
- Other alloys — consult factory



PermaCell™ Model 136-75 shown

# Emery Winslow Scale Co.

73 Cogwheel Lane Seymour, CT 06483  
 (203) 881-9333 Fax (203) 881-9477  
 www.emerywinslow.com E-mail: homeoffice@emerywinslow.com

4350 North 25th St. Terre Haute, IN 47805  
 (812) 466-5265 Fax (812) 466-1046



YOUR REPRESENTATIVE IS: