

SURVIVOR® OTR

Concrete Deck



Due to the variety of configurations, please consult the factory to discuss application requirements and for complete specifications and price quotations.

Package includes: Assembled weighbridge modules and weighbridge fasteners; load cells with conduit fitting; load cell mounts with leveling bolts and anchor bolts; copper transient bypass cables at each load cell; conduit for load cell cable runs; poly-coated flexible steel conduit from load cell to metal conduit; conduit fittings from poly-coated flexible steel to metal conduit; FRP junction box(es); homerun cable to indicator (60ft long); print packages including foundation drawing (pier, floating slab or pit) and installation manual; galvanized pan for concrete.

Package does not include: Approach coping; foundation alignment posts; rebar and mesh for foundation or deck; concrete; indicator; printer; freight charges including material handling; shipping charges, transportation permits and fees, escort(s) charge and insurance transportation fees.

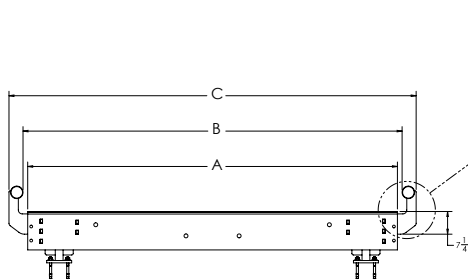
Standard Features

- Top access to load cells and junction box
- 75,000 lb capacity load cells and G-Force™ mount assemblies
- Junction box(es) appropriate for number of load cells utilized
- NTEP Certified 02-003
- 100,000 lb Concentrated Load Capacity (CLC)
- 100,000 lb Dual Tandem Axle (DTA)
- Up to 270,000 lb full scale capacity
- 6 in thick concrete deck
- Three standard widths: 10 ft, 11 ft and 12 ft (available up to 16.5 ft, NTEP Certified)

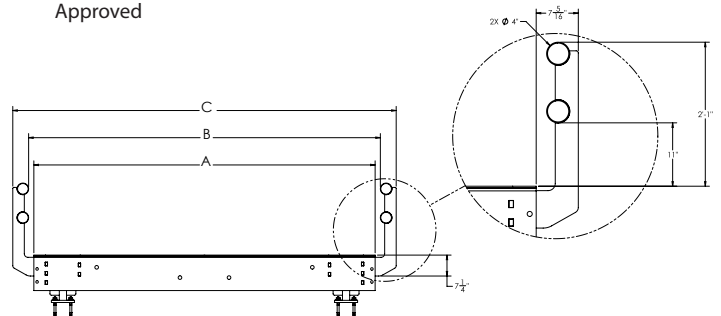
APPROVALS



Measurement
Canada
Approved



OTR END VIEW



OTR END VIEW

Width	A	B	C
10ft	9ft 10-1/2in	10ft 1-1/2in	10ft 10-1/2in
11ft	10ft 10-1/2in	11ft 1-1/2in	11ft 10-1/2in
12ft	11ft 10-1/2in	12ft 1-1/2in	12ft 10-1/2in

Width	A	B	C
10ft	9ft 10-1/2in	10ft 2-1/8in	11ft 1-1/8in
11ft	10ft 10-1/2in	11ft 2-1/8in	12ft 1-1/8in
12ft	11ft 10-1/2in	12ft 2-1/8in	13ft 1-1/8in

Specifications

Load Cells and Mount Assemblies:
75,000 lb capacity; G-Force™ self-checking mounting system, top access to load cells

Full Scale Capacity:
Up to 270,000 lb

Concentrated Load Capacity (CLC):
100,000 lb

Dual Tandem Axle (DTA):
100,000 lb

Approvals:
NTEP Certified per H-44, Class III L 02-003
Measurement Canada AM-5413

Warranty:
5-year or 12-year limited warranty on the weighbridge
5-year or 12-year limited parts warranty, including lightning protection

Options

- Up to 16.5 ft wide
- Fit existing foundations
- 50 lb division/400,000 lb capacity
- Custom grain dumps
- 5 lb division for Livestock
- 10 lb division for Truck/Livestock
- 20 lb division

Length/Capacity

Length	Capacity	Est. Weight	Number of Modules	Number of Load Cells	CLC	Part #	Model	Price
OTR - Concrete Deck – 10 Foot Width								
10 ft	60 tons	4,200 lb	1	4	50 tons	53312	EZ1010-SC-60-OTR	Consult
12 ft	60 tons	4,900 lb	1	4	50 tons	96700	EZ1210-SC-60-OTR	Consult
15 ft	60 tons	5,800 lb	1	4	50 tons	126369	EZ1510-SC-60-OTR	Consult
20 ft	60 tons	7,100 lb	1	4	50 tons	53315	EZ2010-SC-60-OTR	Consult
24 ft*	60 tons	8,200 lb	1	4	50 tons	53318	EZ2410-SC-60-OTR	Consult
40 ft	100 tons	13,800 lb	2	6	50 tons	53321	EZ4010-SC-100-OTR	Consult
47 ft*	100 tons	16,600 lb	2	6	50 tons	53324	EZ4710-SC-100-OTR	Consult
60 ft	100 tons	19,800 lb	3	8	50 tons	53327	EZ6010-SC-100-OTR	Consult
70 ft	100 tons	22,500 lb	3	8	50 tons	53330	EZ7010-SC-100-OTR	Consult
75 ft	100 tons	23,800 lb	3	8	50 tons	86267	EZ7510-SC-100-OTR	Consult
80 ft	100 tons	25,400 lb	4	10	50 tons	53333	EZ8010-SC-100-OTR	Consult
90 ft	100 tons	25,800 lb	4	10	50 tons	152106	EZ9010-SC-100-OTR	Consult
93 ft*	100 tons	26,300 lb	4	10	50 tons	53336	EZ9310-SC-100-OTR	Consult
100 ft	100 tons	31,400 lb	5	12	50 tons	53339	EZ10010-SC-100-OTR	Consult
110 ft	100 tons	32,100 lb	5	12	50 tons	Consult	EZ11010-SC-100-OTR	Consult
117 ft*	100 tons	32,800 lb	5	12	50 tons	53342	EZ11710-SC-100-OTR	Consult
120 ft	100 tons	34,200 lb	6	14	50 tons	152107	EZ12010-SC-100-OTR	Consult
130 ft	100 tons	35,600 lb	6	14	50 tons	152108	EZ13010-SC-100-OTR	Consult
140 ft	100 tons	37,000 lb	6	14	50 tons	152109	EZ14010-SC-100-OTR	Consult
150 ft	100 tons	38,400 lb	7	16	50 tons	152110	EZ15010-SC-100-OTR	Consult
160 ft	100 tons	39,800 lb	8	18	50 tons	152111	EZ16010-SC-100-OTR	Consult
OTR - Concrete Deck – 11 Foot Width								
10 ft	60 tons	4,400 lb	1	4	50 tons	53313	EZ1011-SC-60-OTR	Consult
12 ft	60 tons	5,300 lb	1	4	50 tons	96701	EZ1211-SC-60-OTR	Consult
15 ft	60 tons	6,600 lb	1	4	50 tons	86268	EZ1511-SC-60-OTR	Consult
20 ft	60 tons	8,100 lb	1	4	50 tons	53316	EZ2011-SC-60-OTR	Consult
24 ft*	60 tons	8,600 lb	1	4	50 tons	53319	EZ2411-SC-60-OTR	Consult
40 ft	100 tons	14,400 lb	2	6	50 tons	53322	EZ4011-SC-100-OTR	Consult
47 ft*	100 tons	17,400 lb	2	6	50 tons	53325	EZ4711-SC-100-OTR	Consult
60 ft	100 tons	20,700 lb	3	8	50 tons	53328	EZ6011-SC-100-OTR	Consult
70 ft	100 tons	23,600 lb	3	8	50 tons	53331	EZ7011-SC-100-OTR	Consult
75 ft	100 tons	24,900 lb	3	8	50 tons	86269	EZ7511-SC-100-OTR	Consult
80 ft	100 tons	26,600 lb	4	10	50 tons	53334	EZ8011-SC-100-OTR	Consult
90 ft	100 tons	27,100 lb	4	10	50 tons	93514	EZ9011-SC-100-OTR	Consult
93 ft*	100 tons	27,600 lb	4	10	50 tons	53337	EZ9311-SC-100-OTR	Consult
100 ft	100 tons	32,500 lb	5	12	50 tons	53340	EZ10011-SC-100-OTR	Consult
110 ft	100 tons	35,900 lb	5	12	50 tons	Consult	EZ11011-SC-100-OTR	Consult
117 ft*	100 tons	39,400 lb	5	12	50 tons	53343	EZ11711-SC-100-OTR	Consult
120 ft	100 tons	39,900 lb	6	14	50 tons	99566	EZ12011-SC-100-OTR	Consult
130 ft	100 tons	43,900 lb	6	14	50 tons	119412	EZ13011-SC-100-OTR	Consult
140 ft	100 tons	46,400 lb	6	14	50 tons	152112	EZ14011-SC-100-OTR	Consult
150 ft	100 tons	49,900 lb	7	16	50 tons	152113	EZ15011-SC-100-OTR	Consult
160 ft	100 tons	52,900 lb	8	18	50 tons	152114	EZ16011-SC-100-OTR	Consult

*24 ft actual = 23 ft 2.5 in; 47 ft actual = 46 ft 8 in; 93 ft actual = 93 ft 4 in; 117 ft actual = 116 ft 8 in

NOTE: Shipping rates vary with options and split shipment requirements. Consult factory for current freight estimate.

OTR scales feature undersized dimensions and are designed to fit into existing foundations. Example: 70 ft x 10 ft scale is actually 69 ft 10.5 in L x 9 ft 10.5 in W.



Length/Capacity

Length	Capacity	Est. Weight	Number of Modules	Number of Load Cells	CLC	Part #	Model	Price
OTR - Concrete Deck – 12 Foot Width								
10 ft	60 tons	4,900 lb	1	4	50 tons	53314	EZ1012-SC-60-OTR	Consult
12 ft	60 tons	5,700 lb	1	4	50 tons	96702	EZ1212-SC-60-OTR	Consult
15 ft	60 tons	7,000 lb	1	4	50 tons	86270	EZ1512-SC-60-OTR	Consult
20 ft	60 tons	8,300 lb	1	4	50 tons	53317	EZ2012-SC-60-OTR	Consult
24 ft*	60 tons	9,000 lb	1	4	50 tons	53320	EZ2412-SC-60-OTR	Consult
40 ft	100 tons	15,100 lb	2	6	50 tons	53323	EZ4012-SC-100-OTR	Consult
47 ft*	100 tons	17,600 lb	2	6	50 tons	53326	EZ4712-SC-100-OTR	Consult
60 ft	100 tons	21,800 lb	3	8	50 tons	53329	EZ6012-SC-100-OTR	Consult
70 ft	100 tons	25,800 lb	3	8	50 tons	53332	EZ7012-SC-100-OTR	Consult
75 ft	100 tons	27,200 lb	3	8	50 tons	86271	EZ7512-SC-100-OTR	Consult
80 ft	100 tons	29,000 lb	4	10	50 tons	53335	EZ8012-SC-100-OTR	Consult
90 ft	100 tons	29,600 lb	4	10	50 tons	152115	EZ9012-SC-100-OTR	Consult
93 ft*	100 tons	30,100 lb	4	10	50 tons	53338	EZ9312-SC-100-OTR	Consult
100 ft	100 tons	35,400 lb	5	12	50 tons	53341	EZ 10012-SC-100-OTR	Consult
110 ft	100 tons	39,200 lb	5	12	50 tons	Consult	EZ11012-SC-100-OTR	Consult
117 ft*	100 tons	42,900 lb	5	12	50 tons	53344	EZ 11712-SC-100-OTR	Consult
120 ft	100 tons	43,500 lb	6	14	50 tons	125939	EZ12012-SC-100-OTR	Consult
130 ft	100 tons	47,100 lb	6	14	50 tons	152116	EZ13012-SC-100-OTR	Consult
140 ft	100 tons	51,100 lb	6	14	50 tons	152117	EZ14012-SC-100-OTR	Consult
150 ft	100 tons	54,400 lb	7	16	50 tons	152118	EZ15012-SC-100-OTR	Consult
160 ft	100 tons	57,700 lb	8	18	50 tons	152119	EZ16012-SC-100-OTR	Consult

*24 ft actual = 23 ft 2.5 in; 47 ft actual = 46 ft 8 in; 93 ft actual = 93 ft 4 in; 117 ft actual = 116 ft 8 in

NOTE: Shipping rates vary with options and split shipment requirements. Consult factory for current freight estimate.

OTR scales feature undersized dimensions and are designed to fit into existing foundations. Example: 70 ft x 10 ft scale is actually 69 ft 10.5 in L x 9 ft 10.5 in W.



Part Number/Price

Part #	Description	Price
Foundation Components		
Varied	Approach coping (up to 14 ft long)	Consult/ft
Varied	Pit coping (specify length)	Consult/ft
Scale Components		
Varied	Rebar	Consult/lb
18799	T-grip molding	Consult/ft
Varied	Steel T-strip for scale ends (2 pieces to 12 ft)	Consult
108236	10 ft steel t-strip molding, 4 in x 2.18 in	Consult
101800	11 ft steel t-strip molding, 4 in x 2.18 in	Consult
107048	12 ft steel t-strip molding, 4 in x 2.18 in	Consult
Varied	Manhole option	Consult
Varied	Slotted manhole option	Consult
Varied	End cleanout—removable piece of treadplate located on both ends of scale for cleanout purposes	Consult
Varied	Remote J-Box	Consult
69286	Shim kit (one per section required)	Consult
130829	iQUBE2 bundle, 6-8 load cells includes 920i®	Consult
130830	iQUBE2 bundle, 10-12 load cells includes 920i®	Consult
188936	iQUBE2 bundle, 6-8 load cells includes 1280	Consult
188939	iQUBE2 bundle, 10-12 load cells includes 1280	Consult
Guiderails		
Varied	4 in yellow guiderail attached to both sides of scale (8 in overall height)	Consult/ft
Varied	4 in yellow, double guiderails attached to both sides of scale (8 in overall height)	Consult/ft
Varied	Approach guiderails	Consult/ft
Stainless Steel Welded-Seal Load Cells*		
SSH-4	4 cell system	+Consult (adder)
SSH-6	6 cell system	+Consult (adder)
SSH-8	8 cell system	+Consult (adder)
SSH-10	10 cell system	+Consult (adder)
SSH-12	12 cell system	+Consult (adder)
SSH-14	14 cell system	+Consult (adder)
* Replaces tool steel load cells with welded-seal stainless steel load cells		
Spare Parts		
39516	RL75058, double-ended beam load cell, 75,000 lb capacity, NTEP Certified	Consult
73839	RL75058, double-ended beam, 60 ft stainless steel overbraid cable, 75,000 lb, NTEP Certified	Consult
74725	RL75058, double-ended beam, 100 ft cable, 75,000 lb, NTEP Certified	Consult
48698	65058S75K-1000 with 60 ft of cable	Consult
157931	RL75060S-25K SS load cell with 60 ft cable	Consult
91783	JB8SPT signal trim, 8-channel with expansion and transient protection	Consult
98124	JB8SPT signal trim, 8-channel with expansion and transient protection in stainless steel NEMA Type 4 enclosure	Consult
17780	16 in trimmed ground strap	Consult
45716	58.75 ft, 6 wire homerun cable	Consult
50101	Truck scale rocker link	Consult
67290	Bottom mount load plate radius block	Consult
91578	Yellow touch-up paint	Consult
66953	Red touch-up paint	Consult
107527	Rocker link 75K painted	Consult
110804	Block, self centering	Consult
68842	75,000 lb OTR mount base weldment 6.09 in tall	Consult
69126	75,000 lb OTR mount base weldment 8.34 in tall	Consult
74626	75,000 lb OTR mount base weldment 10.75 in profile	Consult
171119	Spacer block installation tool with grip handle	Consult
85667	Stainless steel anchors for 75,000 lb mounts	Consult
41973	Concrete 3/4 in diameter anchor	Consult
130908	1.5 in x 9.5 in P bracket pin (old style OTR made prior to 2010)	Consult
64845	1.75 in x 9.5 in P bracket pin (new style made after 2010)	Consult
109427	75 K alignment tool	Consult
177722	125 K alignment tool	Consult
128042	Bolt, 1-12 UNF x 4 hex head	Consult
15186	Washer, lock	Consult
128043	Screw	Consult

Rebar and Concrete Requirements

Length	Total Feet	Total Pounds	Concrete Required
SURVIVOR OTR Series - Concrete Deck - 10 Foot Width			
10 ft	150 ft	100 lb	2 yd
12 ft	180 ft	120 lb	2.75 yd
15 ft	240 ft	160 lb	3.25 yd
20 ft	304 ft	203 lb	4.5 yd
24 ft	367 ft	245 lb	5.5 yd
40 ft	608 ft	406 lb	9 yd
47 ft	733 ft	490 lb	11 yd
60 ft	912 ft	609 lb	13.5 yd
70 ft	1,100 ft	734 lb	16 yd
80 ft	1,216 ft	812 lb	18 yd
90 ft	1,368 ft	914 lb	20.5 yd
93 ft	1,466 ft	979 lb	21.5 yd
100 ft	1,520 ft	1,015 lb	22.5 yd
117 ft	1,833 ft	1,224 lb	27 yd
120 ft	1,880 ft	1,256 lb	28 yd
130 ft	2,037 ft	1,361 lb	30 yd
140 ft	2,194 ft	1,466 lb	32.5 yd
150 ft	2,351 ft	1,571 lb	35 yd
160 ft	2,508 ft	1,676 lb	37 yd
SURVIVOR OTR Series - Concrete Deck - 11 Foot Width			
10 ft	168 ft	112 lb	2.5 yd
12 ft	218 ft	146 lb	3 yd
15 ft	267 ft	178 lb	3.5 yd
20 ft	340 ft	227 lb	5 yd
24 ft	405 ft	270 lb	6 yd
40 ft	679 ft	454 lb	10 yd
47 ft	809 ft	540 lb	11.5 yd
60 ft	1,019 ft	680 lb	15 yd
70 ft	1,214 ft	811 lb	17.5 yd
80 ft	1,358 ft	907 lb	20 yd
90 ft	1,524 ft	1,021 lb	22.5 yd
93 ft	1,618 ft	1,081 lb	23.5 yd
100 ft	1,698 ft	1,134 lb	25 yd
117 ft	2,023 ft	1,351 lb	29 yd
120 ft	2,075 ft	1,386 lb	30 yd
130 ft	2,248 ft	1,502 lb	32.5 yd
140 ft	2,421 ft	1,618 lb	35 yd
150 ft	2,594 ft	1,734 lb	37.5 yd
160 ft	2,767 ft	1,850 lb	40 yd

*Deck Rebar - #4 Grade 60 unless otherwise specified
 Rebar calculated using 20 ft lengths (if additional splices required, add 25 in or 2.17 lb of rebar per splice)
 Rebar calculations based on spacing of 16 in O/C in both directions*



Rebar and Concrete Requirements

Length	Total Feet	Total Pounds	Concrete Required
SURVIVOR OTR Series - Concrete Deck - 12 Foot Width			
10 ft	185 ft	124 lb	2.5 yd
12 ft	240 ft	160 lb	3.25 yd
15 ft	294 ft	196 lb	4 yd
20 ft	375 ft	251 lb	5.5 yd
24 ft	443 ft	296 lb	6.5 yd
40 ft	750 ft	501 lb	11 yd
47 ft	885 ft	591 lb	12.5 yd
60 ft	1,125 ft	752 lb	16 yd
70 ft	1,328 ft	887 lb	19 yd
80 ft	1,500 ft	1,002 lb	21.5 yd
90 ft	1,688 ft	1,128 lb	24.5 yd
93 ft	1,770 ft	1,182 lb	25 yd
100 ft	1,875 ft	1,253 lb	27 yd
117 ft	2,213 ft	1,478 lb	31.5 yd
120 ft	2,270 ft	1,516 lb	32.5 yd
130 ft	2,460 ft	1,643 lb	35.5 yd
140 ft	2,650 ft	1,770 lb	38 yd
150 ft	2,840 ft	1,897 lb	41 yd
160 ft	3,030 ft	2,027 lb	44 yd

Deck Rebar - #4 Grade 60 unless otherwise specified

Rebar calculated using 20 ft lengths (if additional splices required, add 25 in or 2.17 lb of rebar per splice)

Rebar calculations based on spacing of 16 in O/C in both directions

