

SURVIVOR® OTR

Steel Deck



Due to the variety of configurations, please consult the factory to discuss application requirements and for complete specifications and price quotations.

Package includes: Assembled weighbridge modules and weighbridge fasteners; load cells with conduit fitting; load cell mounts with leveling bolts and anchor bolts; copper transient bypass cables at each load cell; metal conduit on weighbridge for load cell cable runs; poly-coated flexible steel conduit from load cell to metal conduit; conduit fittings from poly-coated flexible steel conduit to metal conduit; FRP junction box(es); homerun cable to indicator (60 ft long) and print packages including foundation drawing (pier, floating slab or pit) and installation manual.

Package does not include: approach coping; foundation alignment posts; rebar and mesh for foundation; indicator; printer; freight charges including material handling; shipping charges, transportation permits and fees, escort(s) charge, and insurance transportation fees.

Standard Features

- Top access to load cells and junction box
- 75,000 lb capacity load cells and G-Force™ mount assemblies
- Junction box(es) appropriate for number of load cells utilized
- NTEP Certified 02-003
- 100,000 lb Concentrated Load Capacity (CLC)
- 100,000 lb Dual Tandem Axle (DTA)
- Up to 270,000 lb full scale capacity
- Three standard widths: 10 ft, 11 ft, and 12 ft (available up to 16.5 ft, NTEP Certified)

Specifications

Load Cells and Mount Assemblies:
75,000 lb capacity; G-Force™ self-checking mounting system, top access to load cells

Full Scale Capacity:
Up to 270,000 lb

Concentrated Load Capacity (CLC):
100,000 lb

Dual Tandem Axle (DTA):
100,000 lb

Approvals:
NTEP Certified per H-44, Class III L 02-003
Measurement Canada AM-5413

Warranty:
5-year or 12-year limited warranty on the weighbridge
5-year or 12-year limited parts warranty, including lightning protection

Options

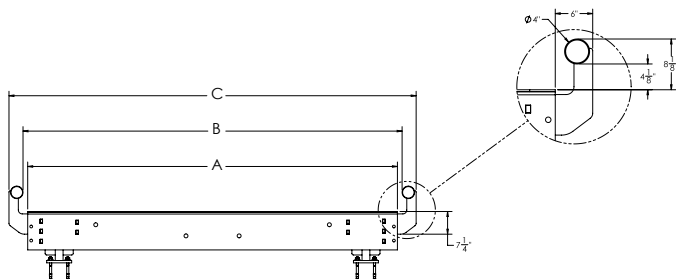
- Up to 16.5 ft wide
- Fit existing foundations
- 50 lb division/400,000 lb capacity
- Custom grain dumps
- 10 lb division for Truck/Livestock
- 20 lb division



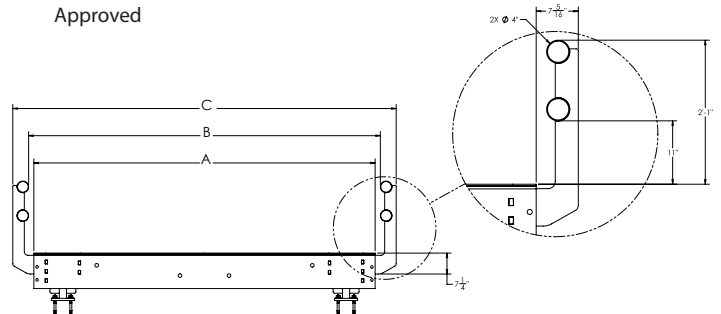
APPROVALS



Measurement
Canada
Approved



OTR END VIEW



OTR END VIEW

| Width | A | B | C |
|-------|-----------------|----------------|-----------------|
| 10 ft | 9 ft 10-1/2 in | 10 ft 1-1/2 in | 10 ft 10-1/2 in |
| 11 ft | 10 ft 10-1/2 in | 11 ft 1-1/2 in | 11 ft 10-1/2 in |
| 12 ft | 11 ft 10-1/2 in | 12 ft 1-1/2 in | 12 ft 10-1/2 in |

| Width | A | B | C |
|-------|-----------------|----------------|----------------|
| 10 ft | 9 ft 10-1/2 in | 10 ft 2-1/8 in | 11 ft 1-1/8 in |
| 11 ft | 10 ft 10-1/2 in | 11 ft 2-1/8 in | 12 ft 1-1/8 in |
| 12 ft | 11 ft 10-1/2 in | 12 ft 2-1/8 in | 13 ft 1-1/8 in |

Length/Capacity

| Length | Capacity | Est. Weight | Number of Modules | Number of Load Cells | CLC | Part # | Model | Price |
|---|----------|-------------|-------------------|----------------------|---------|---------------|--------------------|---------|
| OTR - Steel Deck - 10 Foot Width | | | | | | | | |
| 10ft | 60 tons | 5,050 lb | 1 | 4 | 50 tons | 63174 | EZ1010-ST-60-OTR | Consult |
| 12ft | 60 tons | 5,900 lb | 1 | 4 | 50 tons | 96703 | EZ1210-ST-60-OTR | Consult |
| 15ft | 60 tons | 7,300 lb | 1 | 4 | 50 tons | 86272 | EZ1510-ST-60-OTR | Consult |
| 20ft | 60 tons | 8,700 lb | 1 | 4 | 50 tons | 63175 | EZ2010-ST-60-OTR | Consult |
| 24ft* | 60 tons | 10,200 lb | 1 | 4 | 50 tons | 63176 | EZ2410-ST-60-OTR | Consult |
| 30ft | 60 tons | 13,200 lb | 1 | 4 | 50 tons | 71978 | EZ3010-ST-60-OTR | Consult |
| 30ft | 60 tons | 13,200 lb | 1 | 4 | 50 tons | 170118 | EZ3010-Rolloff | Consult |
| 40ft | 100 tons | 16,800 lb | 2 | 6 | 50 tons | 63177 | EZ4010-ST-100-OTR | Consult |
| 47ft* | 100 tons | 19,650 lb | 2 | 6 | 50 tons | 63178 | EZ4710-ST-100-OTR | Consult |
| 50ft* | 100 tons | 20,800 lb | 2 | 6 | 50 tons | 96706 | EZ5010-ST-100-OTR | Consult |
| 60ft | 100 tons | 25,700 lb | 3 | 8 | 50 tons | 63179 | EZ6010-ST-100-OTR | Consult |
| 70ft | 100 tons | 29,600 lb | 3 | 8 | 50 tons | 63206 | EZ7010-ST-100-OTR | Consult |
| 75ft | 100 tons | 31,800 lb | 3 | 8 | 50 tons | 86273 | EZ7510-ST-100-OTR | Consult |
| 80ft | 100 tons | 33,650 lb | 4 | 10 | 50 tons | 63180 | EZ8010-ST-100-OTR | Consult |
| 90ft | 100 tons | 37,900 lb | 4 | 10 | 50 tons | 152127 | EZ9010-ST-100-OTR | Consult |
| 93ft* | 100 tons | 38,800 lb | 4 | 10 | 50 tons | 63181 | EZ9310-ST-100-OTR | Consult |
| 100ft | 100 tons | 41,550 lb | 5 | 12 | 50 tons | 63182 | EZ10010-ST-100-OTR | Consult |
| 110ft | 100 tons | 40,900 lb | 5 | 12 | 50 tons | 130299 | EZ11010-ST-100-OTR | Consult |
| 117ft* | 100 tons | 49,000 lb | 5 | 12 | 50 tons | 63183 | EZ11710-ST-100-OTR | Consult |
| 120ft | 100 tons | 50,300 lb | 6 | 14 | 50 tons | 153671 | EZ12010-ST-100-OTR | Consult |
| 130ft | 100 tons | 54,500 lb | 6 | 14 | 50 tons | 88525 | EZ13010-ST-100-OTR | Consult |
| 140ft | 100 tons | 58,700 lb | 7 | 16 | 50 tons | 87956 | EZ14010-ST-100-OTR | Consult |
| 150ft | 100 tons | 62,900 lb | 7 | 16 | 50 tons | 152130 | EZ15010-ST-100-OTR | Consult |
| 160ft | 100 tons | 67,100 lb | 8 | 18 | 50 tons | 90900 | EZ16010-ST-100-OTR | Consult |
| OTR - Steel Deck - 11 Foot Width | | | | | | | | |
| 10ft | 60 tons | 5,500 lb | 1 | 4 | 50 tons | 63184 | EZ1011-ST-60-OTR | Consult |
| 12ft | 60 tons | 6,350 lb | 1 | 4 | 50 tons | 96704 | EZ1211-ST-60-OTR | Consult |
| 15ft | 60 tons | 7,700 lb | 1 | 4 | 50 tons | 86274 | EZ1511-ST-60-OTR | Consult |
| 20ft | 60 tons | 9,900 lb | 1 | 4 | 50 tons | 63185 | EZ2011-ST-60-OTR | Consult |
| 24ft* | 60 tons | 11,300 lb | 1 | 4 | 50 tons | 63186 | EZ2411-ST-60-OTR | Consult |
| 30ft | 60 tons | 14,250 lb | 1 | 4 | 50 tons | 72968 | EZ3011-ST-60-OTR | Consult |
| 40ft | 100 tons | 17,700 lb | 2 | 6 | 50 tons | 63187 | EZ4011-ST-100-OTR | Consult |
| 47ft* | 100 tons | 21,500 lb | 2 | 6 | 50 tons | 63188 | EZ4711-ST-100-ORT | Consult |
| 50ft* | 100 tons | 22,200 lb | 2 | 6 | 50 tons | 96707 | EZ5011-ST-100-OTR | Consult |
| 60ft | 100 tons | 28,600 lb | 3 | 8 | 50 tons | 63189 | EZ6011-ST-100-OTR | Consult |
| 70ft | 100 tons | 32,760 lb | 3 | 8 | 50 tons | 63190 | EZ7011-ST-100-OTR | Consult |
| 75ft | 100 tons | 35,000 lb | 3 | 8 | 50 tons | 86275 | EZ7511-ST-100-OTR | Consult |
| 80ft | 100 tons | 37,450 lb | 4 | 10 | 50 tons | 63191 | EZ8011-ST-100-OTR | Consult |
| 90ft | 100 tons | 42,200 lb | 4 | 10 | 50 tons | 131849 | EZ9011-ST-100-OTR | Consult |
| 93ft* | 100 tons | 43,000 lb | 4 | 10 | 50 tons | 63192 | EZ9311-ST-100-OTR | Consult |
| 100ft | 100 tons | 46,300 lb | 5 | 12 | 50 tons | 63193 | EZ10011-ST-100-OTR | Consult |
| 110ft | 100 tons | 49,500 lb | 5 | 12 | 50 tons | 119745 | EZ11011-ST-100-OTR | Consult |
| 117ft* | 100 tons | 53,600 lb | 5 | 12 | 50 tons | 63194 | EZ11711-ST-100-OTR | Consult |
| 120ft | 100 tons | 55,000 lb | 6 | 14 | 50 tons | 130204 | EZ12011-ST-100-OTR | Consult |
| 130ft | 100 tons | 59,600 lb | 6 | 14 | 50 tons | 105431 | EZ13011-ST-100-OTR | Consult |
| 140ft | 100 tons | 64,200 lb | 7 | 16 | 50 tons | 108651 | EZ14011-ST-100-OTR | Consult |
| 150ft | 100 tons | 68,800 lb | 7 | 16 | 50 tons | 152131 | EZ15011-ST-100-OTR | Consult |
| 160ft | 100 tons | 73,400 lb | 8 | 18 | 50 tons | 109002 | EZ16011-ST-100-OTR | Consult |

*24ft actual = 23ft 2.5in; 47ft actual = 46ft 8in; 93ft actual = 93ft 4in; 117ft actual = 116ft 8in

NOTE: Shipping rates vary with options and split shipment requirements. Consult factory for current freight estimate.

OTR scales feature undersized dimensions and are designed to fit into existing foundations. Example: 70ft x 10ft scale is actually 69ft 10.5in L x 9ft 10.5in W.



SURVIVOR® OTR

Steel Deck

Length/Capacity

| Length | Capacity | Est. Weight | Number of Modules | Number of Load Cells | CLC (Tons) | Part # | Model | Price |
|---|----------|-------------|-------------------|----------------------|------------|----------------|--------------------|---------|
| OTR - Steel Deck - 12 Foot Width | | | | | | | | |
| 10 ft | 60 tons | 6,000 lb | 1 | 4 | 50 tons | 63195 | EZ1012-ST-60-OTR | Consult |
| 12 ft | 60 tons | 6,900 lb | 1 | 4 | 50 tons | 96705 | EZ1212-ST-60-OTR | Consult |
| 15 ft | 60 tons | 8,260 lb | 1 | 4 | 50 tons | 86276 | EZ1512-ST-60-OTR | Consult |
| 20 ft | 60 tons | 10,400 lb | 1 | 4 | 50 tons | 63196 | EZ2012-ST-60-OTR | Consult |
| 24 ft* | 60 tons | 11,900 lb | 1 | 4 | 50 tons | 63197 | EZ2412-ST-60-OTR | Consult |
| 30 ft | 60 tons | 15,200 lb | 1 | 4 | 50 tons | 125020 | EZ3012-ST-60-OTR | Consult |
| 40 ft | 100 tons | 19,800 lb | 2 | 6 | 50 tons | 63198 | EZ4012-ST-100-OTR | Consult |
| 47 ft* | 100 tons | 22,800 lb | 2 | 6 | 50 tons | 63199 | EZ4712-ST-100-ORT | Consult |
| 50 ft* | 100 tons | 23,700 lb | 2 | 6 | 50 tons | 96708 | EZ5012-ST-100-OTR | Consult |
| 60 ft | 100 tons | 30,400 lb | 3 | 8 | 50 tons | 63200 | EZ6012-ST-100-OTR | Consult |
| 70 ft | 100 tons | 34,750 lb | 3 | 8 | 50 tons | 63201 | EZ7012-ST-100-OTR | Consult |
| 75 ft | 100 tons | 36,300 lb | 3 | 8 | 50 tons | 86277 | EZ7512-ST-100-OTR | Consult |
| 80 ft | 100 tons | 39,850 lb | 4 | 10 | 50 tons | 63202 | EZ8012-ST-100-OTR | Consult |
| 90 ft | 100 tons | 44,850 lb | 4 | 10 | 50 tons | 152128 | EZ9012-ST-100-OTR | Consult |
| 93 ft* | 100 tons | 45,650 lb | 4 | 10 | 50 tons | 63203 | EZ9312-ST-100-OTR | Consult |
| 100 ft | 100 tons | 50,300 lb | 5 | 12 | 50 tons | 63204 | EZ10012-ST-100-OTR | Consult |
| 110 ft | 100 tons | 54,600 lb | 5 | 12 | 50 tons | Consult | EZ11012-ST-100-OTR | Consult |
| 117 ft* | 100 tons | 57,600 lb | 5 | 12 | 50 tons | 63205 | EZ11712-ST-100-OTR | Consult |
| 120 ft | 100 tons | 59,100 lb | 6 | 14 | 50 tons | 120939 | EZ12012-ST-100-OTR | Consult |
| 130 ft | 100 tons | 64,000 lb | 6 | 14 | 50 tons | 152132 | EZ13012-ST-100-OTR | Consult |
| 140 ft | 100 tons | 68,950 lb | 7 | 16 | 50 tons | 152133 | EZ14012-ST-100-OTR | Consult |
| 150 ft | 100 tons | 73,900 lb | 7 | 16 | 50 tons | 152134 | EZ15012-ST-100-OTR | Consult |
| 160 ft | 100 tons | 78,850 lb | 8 | 18 | 50 tons | 152135 | EZ16012-ST-100-OTR | Consult |

*24 ft actual = 23 ft 2.5 in; 47 ft actual = 46 ft 8 in; 93 ft actual = 93 ft 4 in; 117 ft actual = 116 ft 8 in

NOTE: Shipping rates vary with options and split shipment requirements. Consult factory for current freight estimate.

OTR scales feature undersized dimensions and are designed to fit into existing foundations. Example: 70 ft x 10 ft scale is actually 69 ft 10.5 in L x 9 ft 10.5 in W.

Part Number/Price

| Part # | Description | Price |
|------------------------------|--|------------|
| Foundation Components | | |
| Varied | Approach coping (up to 14 ft long) | Consult/ft |
| Varied | Pit coping (specify length) | Consult/ft |
| Scale Components | | |
| 18799 | T-grip molding | Consult/ft |
| Varied | Steel T-strip for ends scale (2 pieces to 12 ft) | Consult |
| 108236 | 10 ft steel t-strip molding, 4 in x 2.18 in | Consult |
| 101800 | 11 ft steel t-strip molding, 4 in x 2.18 in | Consult |
| 107048 | 12 ft steel t-strip molding, 4 in x 2.18 in | Consult |
| Varied | Manhole option | Consult |
| Varied | Slotted manhole option | Consult |
| Varied | End cleanout—removable piece of treadplate located on both ends of scale for cleanout purposes | Consult |
| N/A | 4-section portability kit | Consult |
| N/A | 5-section portability kit | Consult |
| 69286 | Shim kit (1 per section required) | Consult |
| 109427 | Truck scale mount centering gauge alignment tool | Consult |
| 177722 | Truck scale mount centering gauge alignment tool 125,000 lb | Consult |
| 130829 | iQUBE2 bundle, 6-8 load cells includes 920i® | Consult |
| 130830 | iQUBE2 bundle, 10-12 load cells includes 920i® | Consult |
| 188936 | iQUBE2 bundle, 6-8 load cells includes 1280 | Consult |
| 188939 | iQUBE2 bundle, 10-12 load cells includes 1280 | Consult |



Part Number/Price

| Part # | Description | Price |
|--|--|------------------|
| Guiderails | | |
| Varied | 4 in yellow guiderail attached to both sides of scale (8 in overall height) | Consult/ft |
| Varied | 4 in yellow, double guiderails attached to both sides of scale (8 in overall height) | Consult/ft |
| Varied | Approach guiderails | Consult/ft |
| Stainless Steel Welded-Seal Load Cells* | | |
| SSH-4 | 4 cell system | +Consult (adder) |
| SSH-6 | 6 cell system | +Consult (adder) |
| SSH-8 | 8 cell system | +Consult (adder) |
| SSH-10 | 10 cell system | +Consult (adder) |
| SSH-12 | 12 cell system | +Consult (adder) |
| SSH-14 | 14 cell system | +Consult (adder) |

* Replaces tool steel load cells with welded-seal stainless steel load cells

| Spare Parts | | |
|--------------------|--|---------|
| 39516 | RL75058, double-ended beam load cell, 75,000 lb capacity, NTEP Certified | Consult |
| 73839 | RL75058, double-ended beam, 60 ft stainless steel overbraid cable, 75,000 lb, NTEP Certified | Consult |
| 74725 | RL75058, double-ended beam, 100 ft cable, 75,000 lb NTEP Certified | Consult |
| 48698 | 65058S75K-1000 with 60 ft of cable | Consult |
| 91783 | JB8SPT signal trim, 8-channel with expansion and transient protection | Consult |
| 98124 | JB8SPT signal trim, 8-channel with expansion and transient protection in stainless steel NEMA Type 4 enclosure | Consult |
| 17780 | 16 in trimmed ground strap | Consult |
| 45716 | 58.75 ft, 6 wire homerun cable | Consult |
| 50101 | Truck scale rocker link | Consult |
| 67290 | Bottom load plate mount radius block | Consult |
| 107527 | Tapered link 75,000 lb | Consult |
| 110804 | Tapered radius block | Consult |
| 91578 | Yellow touch-up paint | Consult |
| 66953 | Red touch-up paint | Consult |
| 107527 | Rocker link 75 K painted | Consult |
| 110804 | Block, self centering | Consult |
| 68842 | 75,000 lb OTR mount base weldment 6.09 in tall | Consult |
| 69126 | 75,000 lb OTR mount base weldment 8.34 in tall | Consult |
| 74626 | 75,000 lb OTR mount base weldment 10.75 in profile | Consult |
| 171119 | Spacer block installation tool with grip handle | Consult |
| 85667 | Stainless steel anchors for 75,000 lb mounts | Consult |
| 41973 | Mild steel anchors for 75,000 lb mounts | Consult |
| 128042 | Stainless steel load cell bolts | Consult |
| 15186 | Stainless steel flat washers | Consult |
| 128043 | Stainless steel leveling bolts | Consult |
| 130908 | 1.5 in x 9.5 in P bracket pin (old style OTR made prior to 2010) | Consult |
| 64845 | 1.75 in x 9.5 in P bracket pin (new style made after 2010) | Consult |
| 109427 | 75 K alignment tool | Consult |
| 177722 | 125 K alignment tool | Consult |
| 128042 | Bolt, 1-12 UNF x 4 hex head | Consult |
| 15186 | Washer, lock | Consult |
| 128043 | Screw | Consult |

