

Standard Features

Direct Thermal Printer Kiosk

- Custom America VKP80ii
- Slide door access to ticket
- 8 in paper roll

Printer Kiosk with Intercom

- Digital Acoustics intercom substation

Printer Kiosk with Ethernet Intercom

- Digital Acoustics Ethernet TCP/IP intercom substation

Specifications

Line Voltages:

115 or 230 VAC

Frequency:

50 or 60 Hz

Power Consumption:

0.5 amps (depending on options)

Fusing:

3.15 amps circuit breaker

Humidity:

0-95% relative humidity

Rating/Material:

NEMA Type 1
IP10

Printer Communication Ports:

RS-232 or Ethernet

Storage Temperature:

14 to 158° F (-10 to 70° C)

Current Supported Riser Plates:

Zebra® 140XIIIPlus
Zebra 105SL
Zebra R110Xi
Zebra Z4Mplus
Zebra 2746e
Datamax-O'Neil® I-4208
Datamax-O'Neil 4206
Datamax-O'Neil I-4308
Datamax-O'Neil I-4210
Datamax-O'Neil I-4212
Intermec® 3400e
Intermec 4440

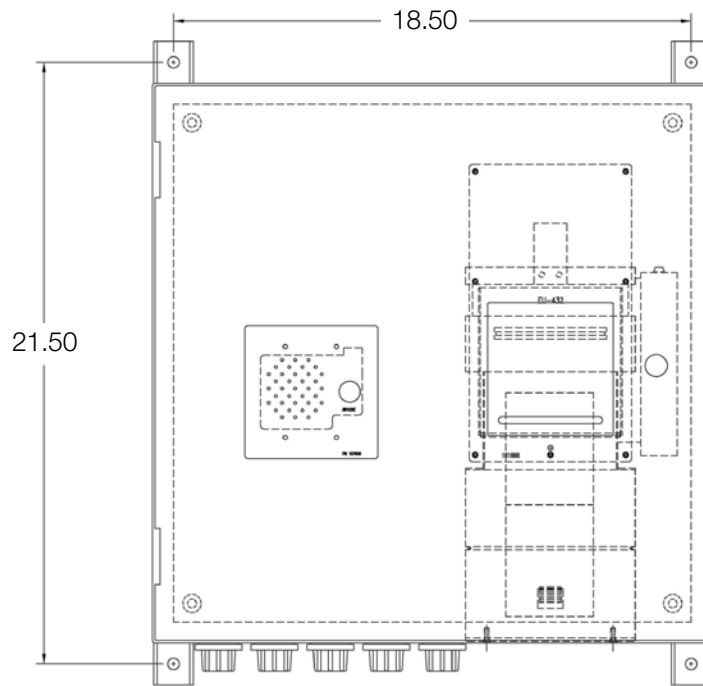
Warranty:

Two-year limited warranty

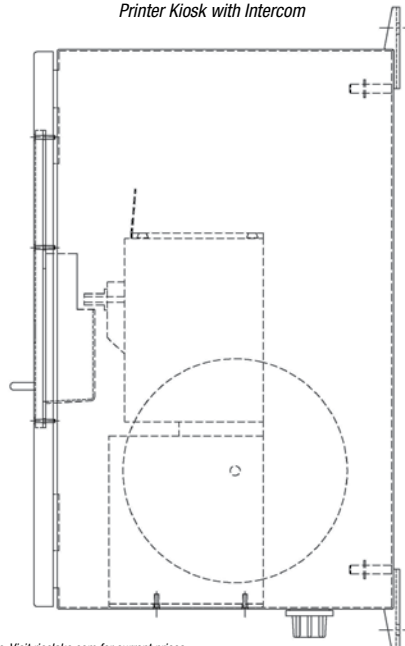


PN 112836

PN 120029



Printer Kiosk with Intercom



Printer Kiosk

Thermal-transfer Printer Kiosk



Basic printer kiosk with optional RFID card reader and optional number keypad



Basic printer kiosk
PN 92971



Basic printer kiosk with optional RFID card reader

Standard Features

Thermal-transfer Printer Kiosk

- Thermal transfer ticket printer kiosk
- Painted mild steel enclosure
- Slide door access to ticket
- Zinc-plated 3/4-inch NPT conduit hubs
- Additional options available upon request
- *For the most recent user manual and driver install information about the printer used in Rice Lake's ATK printer kiosk, please visit the vendor's website at Honeywell Kiosk Printers.

Specifications

Line Voltages:

115 or 230 VAC

Frequency:

50 or 60 Hz

Power Consumption:

0.5 amps (depending on options)

Fusing:

6 amp circuit breaker

Humidity:

0-95% relative humidity

Rating/Material:

NEMA Type 1
IP10

Printer Serial Ports:

RS-232
Ethernet (optional)

Storage Temperature:

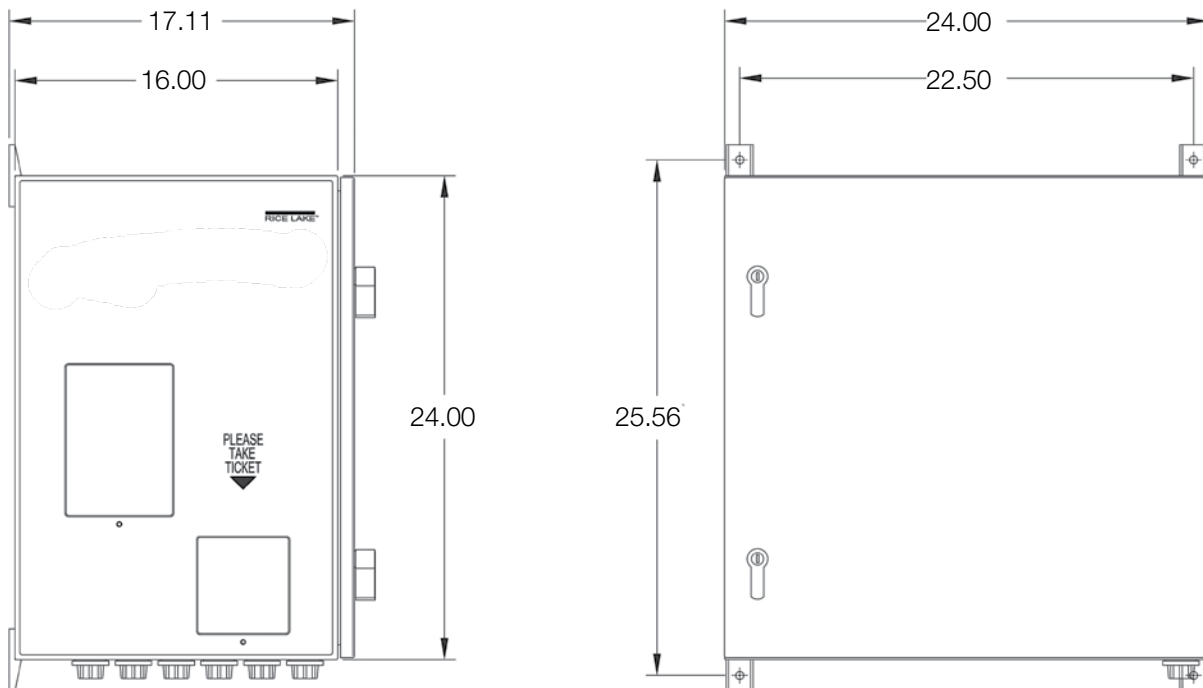
14° F to 158° F (-10° C to 70° C)

Current Supported Riser Plates:

Zebra® 140XIIIPlus
Zebra 105SL
Zebra R110Xi
Zebra Z4Mplus
Zebra 2746e
Datamax-O'Neil® I-4208
Datamax-O'Neil 4206
Datamax-O'Neil I-4308
Datamax-O'Neil I-4210
Datamax-O'Neil I-4212
Intermec® 3400e
Intermec 4440

Warranty:

Two-year limited warranty



Part Numbers/Price

Part #	Description	Price
92971	Printer kiosk, inbound base unit 115 VAC (printer not included)	\$2,775.00
112836	Printer kiosk, thermal ticket printer 20 x 20 x 12 in painted mild steel enclosure	\$3,600.00
193639	Printer kiosk, thermal ticket printer (Ethernet), 20 x 20 x 12 in painted milk steel enclosure	\$3,675.00

A test plan is included with each kiosk.

Consult factory for private label versions.

Options/Accessories

Part #	Description	Price
119693	200 watt heater	\$550.00
119761	Ethernet unmanaged switch, five-port	\$298.00
119946	Single port Ethernet server	\$435.00
120040	Dual port Ethernet server, for use with 120028	\$605.00
93463	Printer riser plate for Datamax® I-4212e	\$275.00
93468	Printer riser plate for Intermec® 3400e	\$275.00
176452	HID smart card reader	\$550.00
131143	Honeywell I-4212e, direct thermal RS-232, parallel and USB	\$1,595.00
64884	Thermal transfer option Honeywell	\$100.00
131150	Ethernet option Honeywell	\$325.00
53918	Cutter option Honeywell	\$695.00
109298	Tag, direct thermal, 4 in wide, 7.2 pt continuous 480 ft roll	\$40.00
158974	Single-channel audio amplifier for Ethernet intercom (use with speaker horn 181686)	\$152.00
Consumables		
105445	Paper roll 6 in OD, one ply thermal 80 mm (3.1 in) 710 ft per roll	\$25.00
105446	Paper roll 8 in OD, one ply thermal 80 mm (3.1 in) 1268 ft per roll	\$27.00
89190	TT Tag stock 4 in wide, 7.5 pt continuous 400 ft roll	\$38.50
34056	Transfer ribbon, 4 in wide GPR Plus black 1181 ft roll	\$25.25